

1

2

3

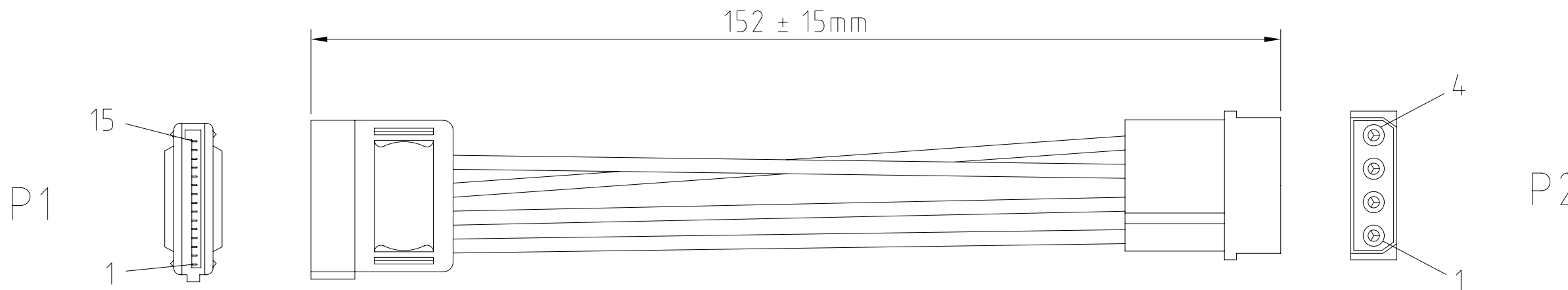
4

5

6

7

Signature	Revision History	Date	Rev.
Alex.Dan	For Bulk Production	Dec.20,2006	01



NOTE:

- 1. HOOK UP WIRE : UL1007 18AWG COLOR:YELLOW, BLACK, RED
- 2. CONNECTOR :
 P1 : 15 PIN SATA SOCKET SOLDER TYPE GOLD PLATED 15u" CONTACT
 P2 : 4 PIN MATE LOCK MALE .
 HOUSING: JWT P/N: C5081H0-4P
 TERMINAL: JWT P/N: C5081T0B-2 .
- 3.HOOD: P1: MOLDED TYPE, PVC 45P, COLOR:BLACK
- 4.ELECTRICAL TEST: <1>100% OPEN SHORT & MIS WIRE TEST.
 <2>CONTACT RESISTANCE 3 Ohms MAX
 <3>INSULATION RESISTANCE 20M Ohms MIN
- 5.PACKING: SEE P-0039 REV.C PACKING DRAWING

	P1		P2
	1, 2, 3	YELLOW	1
	4, 5, 6	BLACK	2
	7, 8, 9	RED	4
	10, 11, 12	BLACK	3

RoHS Compliant

EAN Code:
4016032129653

ST81407

	Date	Name
Drawn by	Dec.20,2006	Alex Dan
Checked by	Dec.20,2006	Norman Xu
Approved by		

ASSMANN
Electronic GmbH

Part No.
AK-SATA-PC 015

Title.
Serial ATA Power Cable

Scale	N/A	Sheet
Unit	MM	1/1

1

2

3

4

5

6

7