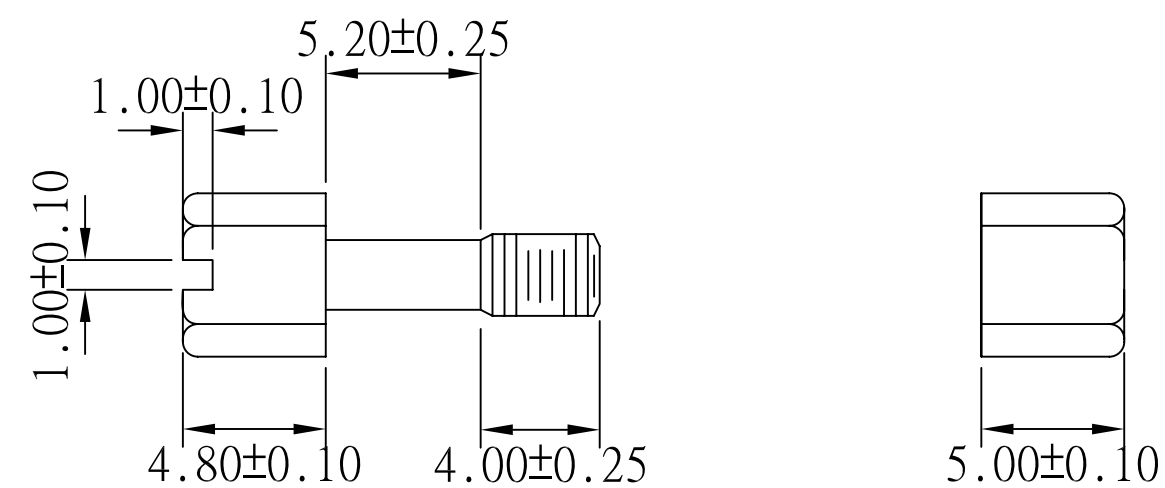


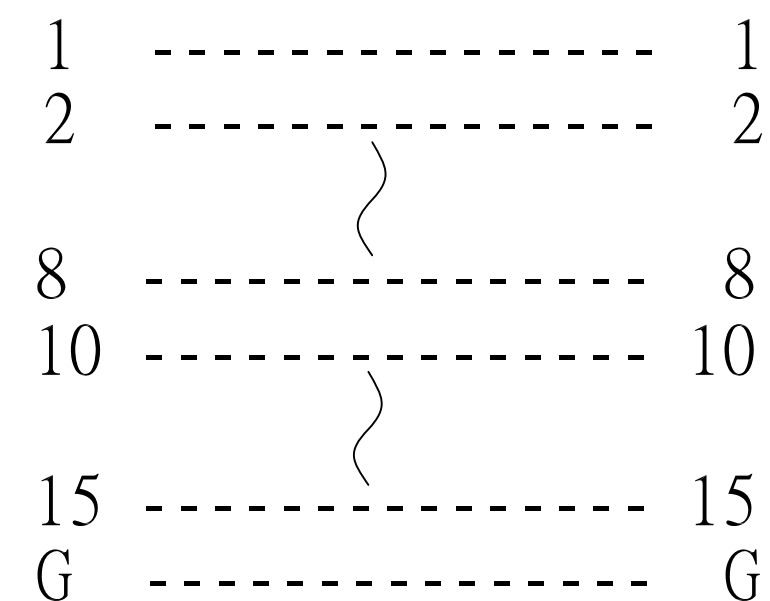
UNC #4-40 Hexscrew      UNC #4-40 Hexnut



HGC 15 F/F GENDER CHANGER

PIN OUT: 15Female

15Female



Label: yellow color with black character

One side: MINI GENDER CHANGER

The other side: U.S.A. PATENT 5199906 GENDER CHANGER

SPECIFICATION

INSULATOR: PBT Glass fibre reinforced UL 94 V0

CONTACT: Brass

CONTACT PLATING: Gold plated over nickel

SHELL: Tin plated shell

CURRENT RATING: 3 AMP

DIELECTRIC STRENGTH: 1000V AC for one minute

INSULATOR RESISTANCE: 1000MΩ min at 500V DC

TEMPERATURE: -55°C — +105°C

Edition	A01				ASSMANN ELECTRONICS GMBH			
SCALE	2:1		PART NO. AB420		DWG NO.		DATE	
UNIT	mm		DRAWN		CHECKED		APPRD	
Page	1/1		DRAWN <i>Fu Hao</i>		CHECKED		APPRD	