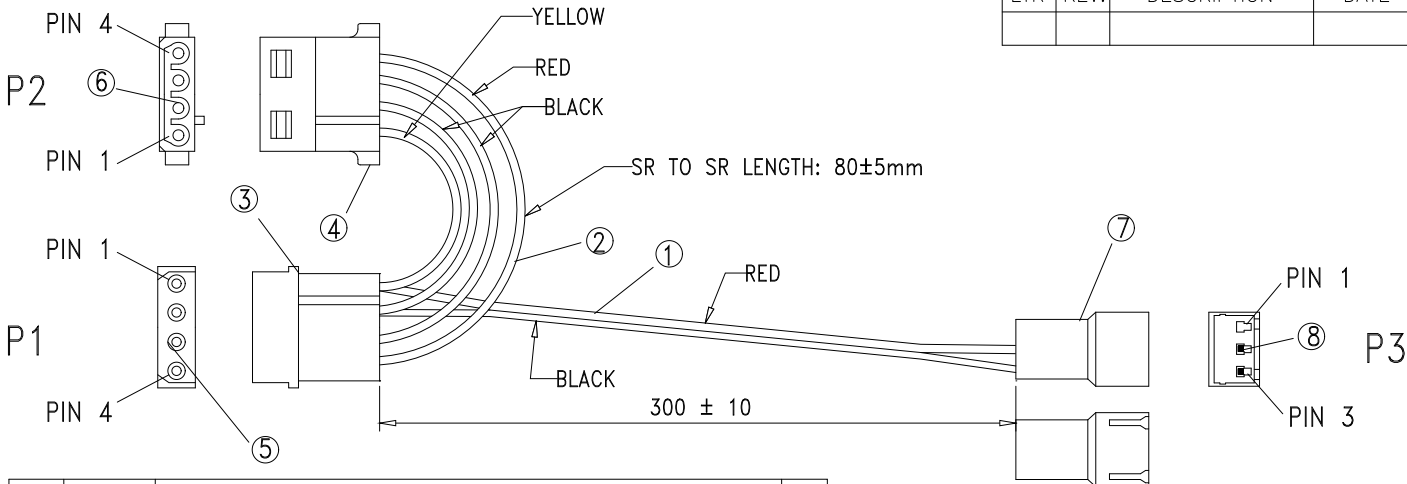


LTR	REV.	DESCRIPTION	DATE



NO	NAME	SPEC	Q'TY
①	WIRE	[UL2468 80? 300V 26AWG PVC JACKET COLOR: RED, BLACK]*2F	1
②	WIRE	HOOK UP WIRE: UL1007 22AWG	4
③	HOUSING	JWT C5081WV2-4P, 4PIN MATE LOCK MALE, PITCH: 5.08mm, COLOR:TRANSPARENT.	1
④	HOUSING	JWT C5082H02-4P, 4PIN MATE LOCK FEMALE, PITCH: 5.08mm, COLOR:TRANSPARENT.	1
⑤	TERMINAL	JWT C5081TOB-2, BRSS/FINNED, FOR #20~#24.	4
⑥	TERMINAL	JWT C5082TOB-2, BRSS/FINNED, FOR #20~#24.	4
⑦	HOUSING	TARNG YU P/N:TY3084HNO-03 3POS HSG, PITCH:2.5mm COLOR:WHITE.	1
⑧	TERMINAL	TARNG YU P/N:TY3084TBO-A, PHOSPHOR BRONZE, TIN-PLATED, FOR #22~#28.	2
⑨	PACKING	EACH PC / POLYBAG.	

P2	P1	P3
1 YELLOW	1 RED	2
2 BLACK	2 BLACK	3
3 BLACK	3	
4 RED	4	

Tolerance Inch M/M			NEOSTAR TECHNOLOGY CO., LTD.	
.X	.015	.30		
.XX	.010	.10	Title	
.XXX	.005	.05	POWER SUPPLY CABLE	
Draw KIKI 07/18			Customer P/N:	
Check			App'd	Customer E-SSM
Engr			Scale NONE	Units m/m
			Third Angle Projection	Sheet 1/1
			Dwg No. 150-0244	REF:II