



DIGITUS SoHo-Line 19" wall mounting cabinets provide an economic solution cabling installations. This series is a range of wall mounted or/and free standing enclosures used in offices for horizontal segments where a reduced amount of U height is required. Again the aesthetics creating a pleasing and professional look. Attention to styling with light grey Ral7035 with left and right metal frames mean that cabinets can be deployed in the most demanding of office environments when looks really matter. Front door frames is available with decorative trim or customized as orange blue, green, light blue, red. Optimal mounting, hinging and panel mounting arrangements create a variety of equipment mounting an access arrangements. This allow the **DIGITUS SoHo-Line** to be used in almost all locations. Completely standart **DIGITUS SoHo-Line** wall mounting cabinet is delivered as a single eclosure and assembled. Wall mounted sabinets could be used as free standing by using accessories castor or levelling feet under a table or in any environment.

19" DIGITUS SoHo-Line 19" wall mounting cabinets



FEATURES

* Easy to access

Front door features a full-lenght smoked and shatterproof glass door with decorative accent trim reinforced with left/right metal rames and integral locking mechanism.

Side doors; lockable, removable complete with a locks.

Rear door; mechannically lockable, removable it is used as mounting plate at the same time. When mounting the enclosure, rear door is removed and mounted directly to wall and enclosure plug-in to the rear door. It's benefits that, straight on wall, fast installation, low manpower, save time and cost-effective solution. All giving you 4-way access to equipment.

* Cable access

Multiple cable entry points on top (1ea) and bottom(1ea), provide maximum versatility. There is a rubberedge sliding cover mechanism that protects and fix the cables. On the rear door, there is also a cable entry hole closed with cover.

When it is used, it is replaced with on of top/bottom rubber edge sliding cover mechanism.

* Construction

Rigid welded frame construction is in steel sheet. Corner of bases have welded sockets on each corner that tightly fixed into the clumns gives maximum stabiloity.

Frames are made with 24-fold design for increased stability.

Vented top cover provide passive heat transportation via convection. There are vented fan holes suitable for cooling unit. (see accessories) 19" mounting angles (front/2ea.) allow for fleible configuration and adjustable in depth.

Extensive range of accessories Front door features a full-lenght smoked and shatterproof glass door with decorative accent trim reinforced with left/right metal rames and integral locking mechanism.

Side doors; lockable, removable complete with a locks.

Rear door; mechannically lockable, removable it is used as mounting plate at the same time. When mounting the enclosure, rear door is removed and mounted directly to wall and enclosure plug-in to the rear door. It's benefits that, straight on wall, fast installation, low manpower, save time and cost-effective solution. All giving you 4-way access to equipment.

* Cable access

Multiple cable entry points on top (1ea) and bottom(1ea), provide maximum versatility. There is a rubberedge sliding cover mechanism that protects and fix the cables. On the rear door, there is also a cable entry hole closed with cover. When it is used, it is replaced with on of top/bottom rubber edge sliding cover mechanism.

* Construction

Rigid welded frame construction is in steel sheet. Corner of bases have welded sockets on each corner that tightly fixed into the clumns gives maximum stabiloity.

Frames are made with 24-fold design for increased stability.

Vented top cover provide passive heat transportation via convection. There are vented fan holes suitable for cooling unit. (see accessories) 19" mounting angles (front/2ea.) allow for fleible configuration and adjustable in depth.

Extensive range of accessories

Load Carrying Capacity: 80 kg

STANDARDS

*ISO 9001:2000

*19" mounting to IEC 297-1

*Overall cabinet dimensions to IEC 297-2

COMPLIANCES

UL and cUL

IP Protection: IP30

Glass : 4mm Secure and tempered

Surface Treatment : Fosfat coating

Painting : Ral7035

Locks : Emka Germany

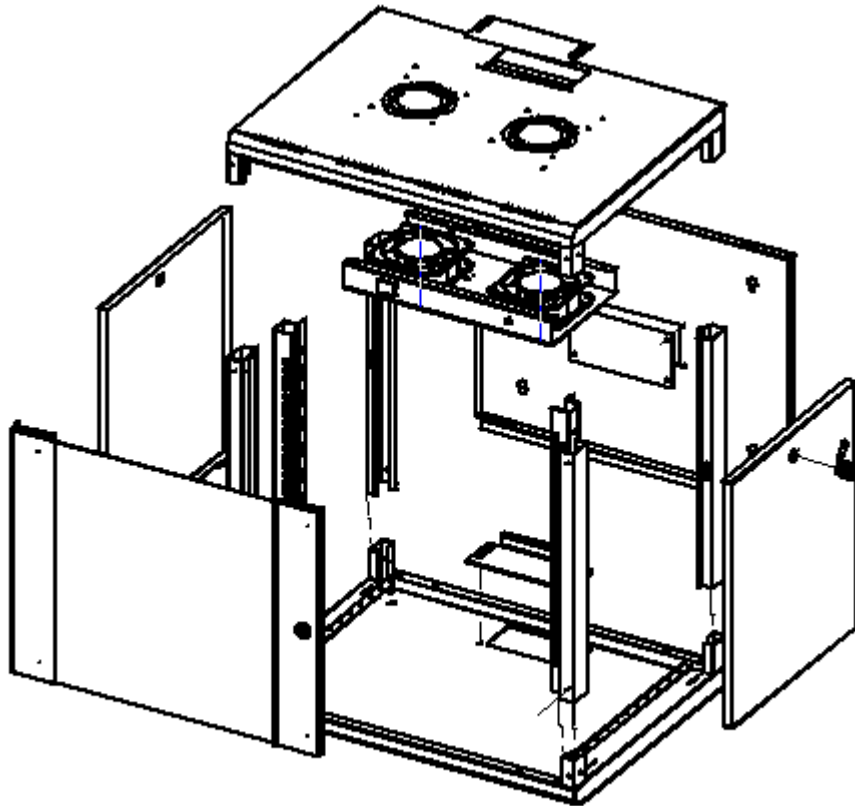
O-type : KLT - E7308 / Password Code : 9473

Small O-type : KLT – E7158 / Password Code : 827

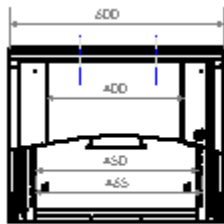
Well Packaged : Shrinked plastic with inner surface and outside is covered by high density cardboard . Corners are supported with sytrapor.

Material Definition and Properties, Thicknesses and Shipment Configuration

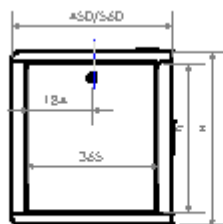
Part Definition	Material thickness	Material definition & properties	Shipment Configuration
Upper Case	1,5 mm	DIN EN 10130 – 99 EREGLI DC-01 6112 CRS	1 ea.
Bottom Case	1,5 mm	DIN EN 10130 – 99 EREGLI DC-01 6112 CRS	1 ea.
Front Door	1,5 mm	DIN EN 10130 – 99 EREGLI DC-01 6112 CRS	1 ea.
19 " mounting angles cabinet depth=450mm.	1,5 mm	DIN EN 10130 – 99 EREGLI DC-01 6112 & GALVANIZED COATING	2ea. at front
19 " mounting angles for 12U, 16U cabinet depth=560mm.	1,5 mm	DIN EN 10130 – 99 EREGLI DC-01 6112 & GALVANIZED COATING	4 ea. (2ea. at front , 2ea. at rear)
Rear Door	1,5 mm	DIN EN 10130 – 99 EREGLI DC-01 6112 CRS	1 ea.
Frame	1,2 mm	DIN EN 10130 – 99 EREGLI DC-01 7122 CRS	4 ea.
Side Doors	1 mm	DIN EN 10130 – 99 EREGLI DC-01 7122 CRS	2 ea.
Fan Tray(unloaded)	1 mm	DIN EN 10130 – 99 EREGLI DC-01 6112 CRS	1 ea.



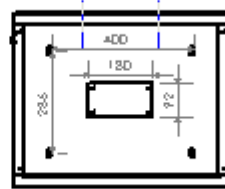
Explode View



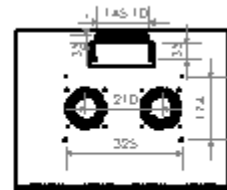
Front View



Side View



Back View



Top View

19" DIGITUS SoHo-Line 19" wall mounting cabinets

width=600 mm depth=450 mm

width=600 mm depth=560 mm

width=600 mm depth=(110+450 mm)

Order No	U= (44,45)	h= inside height(mm)	H= outside height(mm)	Total weight (kg.)	Order No	U= (44,45)	h= inside height(mm)	H= outside height(mm)	Total weight (kg.)	Order No	U= (44,45)	h= inside height(mm)	H= outside height(mm)	Total weight (kg.)
135203 / DN-19 07U	7	333	402	21	190103 / DN-19 07U-6/6	7	333	402	25	186724 / DN-19 07U-3	7	333	402	27
135210 / DN-19 09U	9	422	491	23	157519 / DN-19 07U-6/6	9	422	491	28	186731 / DN-19 09U-3	9	422	491	31
135227 / DN-19 12U	12	555	624	26	180517 / DN-19 07U-6/6	12	555	624	32	186748 / DN-19 12U-3	12	555	624	35
135234 / DN-19 16U	16	733	802	30	174097 / DN-19 07U-6/6	16	733	802	36	186755 / DN-19 16U-3	16	733	802	39