



# **7.1 SURROUND SOUND USB SOUND CARD**

## **User Manual**

**(DA-70800)**

**All brand names and trademarks are properties of their  
respective owners.**

## ***Features***

- USB spec. 2.0 full speed compliant
- USB audio device class spec. 1.0 and USB HID class spec. 1.1 compliant
- Full-duplex recording and play-back
- 7.1 connection
- SPDIF optical digital input and output
- 3.5mm jack connectors
- Support 48/44.1 KHz sampling rate for both playback and recording
- Supports Windows® 2000, XP/2003/Vista/7 (32/64 bit)

## ***System Requirements***

- Windows® 2000, XP/2003/Vista/7 (32/64 bit)
- Available USB port
- DirectX 8.1 above is required

## ***Package Contents***

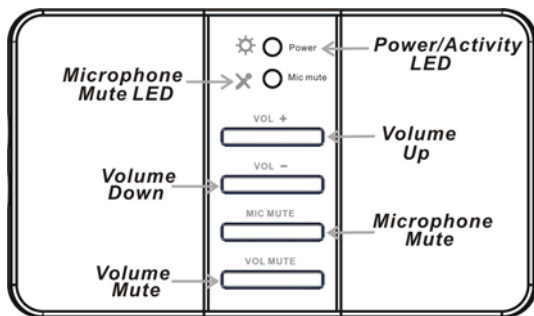
- 1 x 7.1 Channel USB Sound Box
- 1 x USB Cable

- 1 x Driver CD
- 1 x User Manual

Note: Contents may vary depending on country/market.

## *Hardware Description*

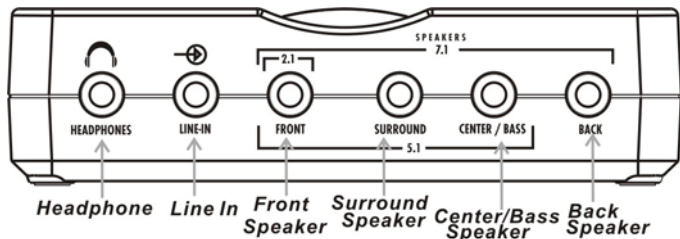
*Figure 1. Buttons & Indicators*



- **Volume Mute:** Press this button to mute/un-mute audio outputs.
- **Microphone Mute:** Press this button to mute/un-mute microphone.
- **Volume (UP, Down):** Increases or decreases audio output volume.
- **Microphone Mute LED:** When the microphone inputs are muted, the light will turn on.

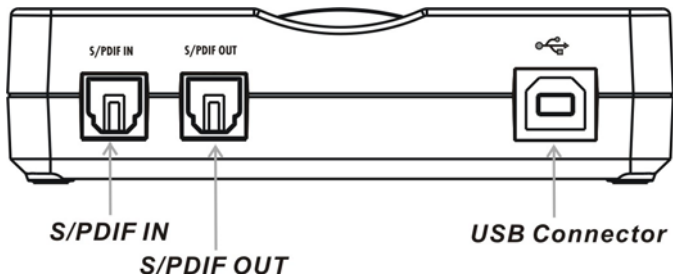
- **Power/Activity LED:** The light will be on when the system is powered up. The light will blink when activity is detected.

*Figure 2. Connectors (Front)*



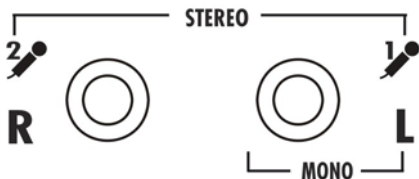
- **Headphone:** Connect to headphone.
- **Line In:** Connect to tape/CD/DVD Player, or other audio sources for output mixing and/or recording.
- **Front Speaker:** Connect to Front speakers (via external amplifier).
- **Surround Speaker:** Connect to Surround speakers while in 4/6/8 channel modes (via external amplifier).
- **Center/Bass Speaker:** Connect to Center/Bass speakers while in 6/8 channel modes (via external amplifier).
- **Back Speaker:** Connect to Back speakers while in 8 channel mode (via external amplifier).

**Figure 3. Connectors (Back)**



- **S/PDIF IN:** Connect to digital output of external audio device via an optical S/PDIF cable.
- **S/PDIF OUT:** Connect to digital input of external audio device via an optical S/PDIF cable.
- **USB Connector:** Plugs into the system's USB port.

**Figure 4. Connectors (Side)**



- **MIC (1) IN:** Connect to a microphone (Mono left channel)
- **MIC (2) IN:** Connect to a microphone (Mono right channel)

**Stereo microphone supports when connecting to MIC (1) and Mic (2) connectors.**

## ***Driver Installation***

### ***For Windows® 2000, XP/2003/Vista/7 (32/64 bit)***

Place the Driver CD into the CD-ROM drive. Click the **Start** button on the taskbar and click **Run**.

Type **“D:\ DA-70800\Setup.exe”**. (Assuming you have placed the CD in CD-ROM drive labeled as D).

1. Follow any on-screen instructions to complete the software installation.
2. Restart your system.
3. Once you have rebooted the computer, this 7.1 Channel USB Sound Box is ready to be used.