

1

2

3

4

5

6

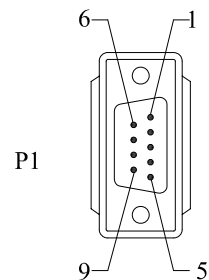
7

Signature	Revision History	Date	Rev.
Alex Dan	For Bulk Production	Dec.20,2005	01

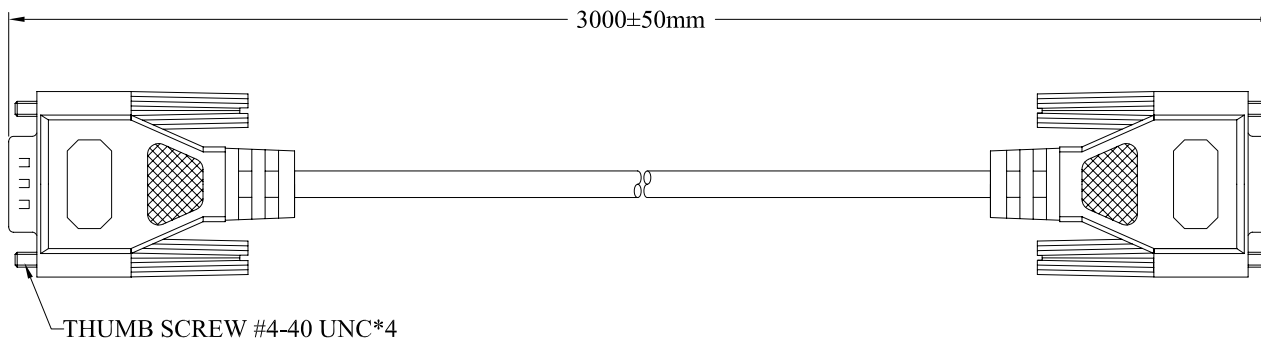
A

A

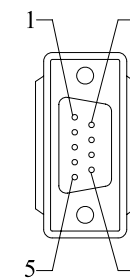
DB 9MALE
PLASTIC:BLUE



P1



DB 9FEMALE
PLASTIC:BLUE



P2

B

B

C

C

D

D

NOTES:

- CABLE:9C*28AWG(7/0.127) TINNED COPPER INSULATION:PVC+DRAIN WIRE 28AWG
+AL/MYLAR+JACKET:PVC COLOR:BEIGE, OD:Ø5.0±0.15mm NON-UL
- CONNECTOR:
P1:DB 9P MALE GOLD FLASH CONTACT,NICKEL PLATED SHELL.
P2:DB 9P FEMALE GOLD FLASH CONTACT,NICKEL PLATED SHELL.
- HOOD:P1&P2:MOLDED TYPE,PVC 45P, COLOR:BEIGE.
- ELECTRONIC TEST:
<1>.100% OPEN SHORT MIS WIRE TEST.
<2>.CONTACT RESISTANCE 3 OHMS MAX
<3>.INSULATION RESISTANCE 20 M OHMS MIN
- PACKING:SEE P-0039 REV.C PACKING DRAWING
(HANKING SIZE MUST BE SMALLER THAN PACKING)
PACKING TYPE: DB VP4.

PIN OUT

P1	_____	P2	_____
1	_____	1	_____
2	_____	2	_____
3	_____	3	_____
4	_____	4	_____
5	_____	5	_____
6	_____	6	_____
7	_____	7	_____
8	_____	8	_____
9	_____	9	_____
SHELL	_____	SHELL	_____

E

E

F

F

G

G

Date		Name		Part No.	
Drawn by	Dec.20,2005	Alex Dan		AK 178 3M	
Checked by	Dec.20,2005	Norman Xu			
Approved by					
ASSMANN Electronic GmbH				Title.	
				DB9/M - DB9/F CABLE	
				Scale	N/A
Unit	MM				

RoHS Compliant

EAN Code:
4016032062905

ST81407

1

2

3

4

5

6

7

H

H